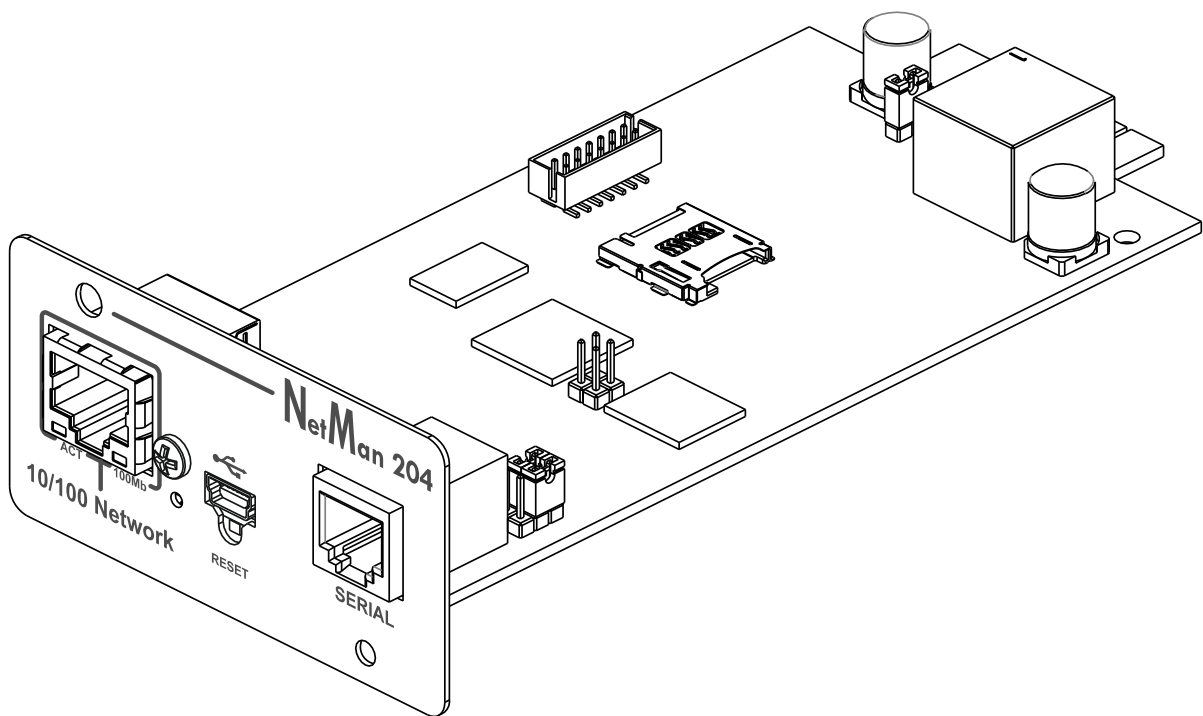


NETMAN 204

NETWORK ADAPTER



INSTALLATION AND USER MANUAL

INTRODUCTION

Thank you for choosing our product.

The accessories described in this manual are of the highest quality, carefully designed and built in order to ensure excellent performance.

This manual contains detailed instructions on how to install and use the product.

This manual must be stored in a safe place and CONSULTED BEFORE USING THE DEVICE for proper usage instructions as well as maximum performance from the device itself.

NOTE: Some images contained in this document are for informational purposes only and may not faithfully demonstrate the parts of the product they represent.

Symbols used in this manual:



Warning

Indicates important information that must not be ignored.



Information

Provides notes and useful suggestions for the User.

SAFETY

This part of the manual contains SAFETY precautions that must be followed scrupulously.

- ❖ The device has been designed for professional use and is therefore not suitable for use in the home.
- ❖ The device has been designed to operate only in closed environments. It should be installed in rooms where there are no inflammable liquids, gas or other harmful substances.
- ❖ Take care that no water or liquids and/or foreign bodies fall into the device.
- ❖ In the event of a fault and/or impaired operation of the device, do not attempt to repair it but contact the authorized service centre.
- ❖ The device must be used exclusively for the purpose for which it was designed. Any other use is to be considered improper and as such dangerous. The manufacturer declines all responsibility for damage caused by improper, wrong and unreasonable use.

ENVIRONMENTAL PROTECTION

Our company devotes abundant resources to analyzing environmental aspects in the development of its products. All our products pursue the objectives defined in the environmental management system developed by the company in compliance with applicable standards.

Hazardous materials such as CFCs, HCFCs or asbestos have not been used in this product.

When evaluating packaging, the choice of material has been made favoring recyclable materials. Please separate the different material of which the packaging is made and dispose of all material in compliance with applicable standards in the country in which the product is used.

DISPOSING OF THE PRODUCT

The device contains internal material which (in case of dismantling/disposal) are considered TOXIC, such as electronic circuit boards. Treat these materials according to the laws in force, contacting qualified centers. Proper disposal contributes to respect for the environment and human health.

- © The reproduction of any part of this manual, even in part, is prohibited unless authorized by the manufacturer.
The manufacturer reserves the right to change the product described at any time without prior notice for improvement purposes.

CONTENTS

DESCRIPTION	6
OVERVIEW	6
PACKAGE CONTENTS	6
FRONT PANEL	7
Network port	7
Micro-USB port	7
Serial port	7
LED	7
Reset button	8
USERS	8
NETWORK SERVICES	9
SSH	9
Serial network	9
Wake-on-LAN	9
HTTP	9
SNMP	9
UDP	9
Modbus TCP/IP	10
BACnet/IP	10
FTP	10
Email	10
Reports	10
DEVICE VALUES AND EVENTS HISTORY LOG ARCHIVE	11
Eventlog	11
Datalog (only for UPS devices)	11
ENVIRONMENTAL SENSORS (OPTIONAL)	12
Available sensors	12
INSTALLATION	12
CONFIGURATION	13
OVERVIEW	13
Configuration via HTTP/HTTPS	13
Configuration via USB	14
Configuration via SSH	14
CONFIGURATION MENU DESCRIPTION	15
Start menu	15
Setup	17

IP config _____	18
WEB CONFIGURATION _____	19
Network configuration _____	20
Device configuration _____	20
Data log _____	21
UDP Firewall _____	21
Wake on Lan address _____	21
SNMP _____	22
MODBus/BACNET _____	22
JSON _____	23
Date & Time configuration _____	23
NTP & Timezone configuration _____	23
Email configuration _____	24
Email logic _____	25
Sensors _____	25
Sensors Config _____	26
Password recovery _____	28
Wi-Fi setup (optional card required) _____	29
Expert mode _____	30
CONFIGURATION OF SEVERAL DEVICES _____	30
FIRMWARE UPGRADE _____	31
FIRMWARE UPGRADE VIA HTTP _____	31
FIRMWARE UPGRADE VIA FTP _____	31
SNMP CONFIGURATION _____	32
MODBUS TCP/IP PROTOCOL _____	34
BACNET/IP CONFIGURATION _____	38
MODEM CONFIGURATION _____	39
TECHNICAL DATA _____	41
NETWORK CABLE _____	41
OPERATING AND STORAGE CONDITIONS _____	41

DESCRIPTION

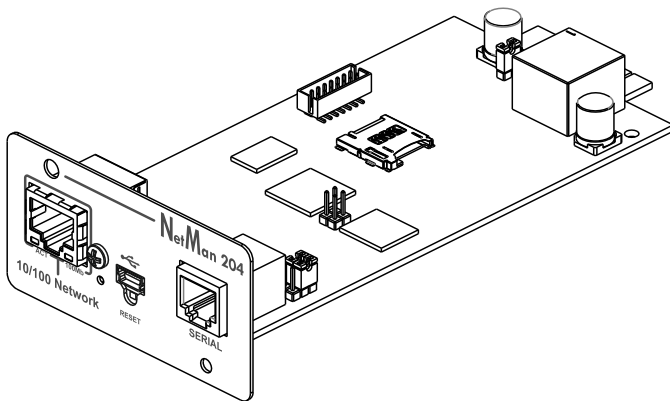
OVERVIEW

NetMan 204 is an accessory that allows device management through a LAN (Local Area Network); the accessory supports all the main network protocols (SNMP v1, v2 and v3, TCP/IP, HTTP and MODBUS) and is compatible with Ethernet 10/100Mbps IPv4/6 networks. The device can therefore be integrated easily into medium and large-sized networks.

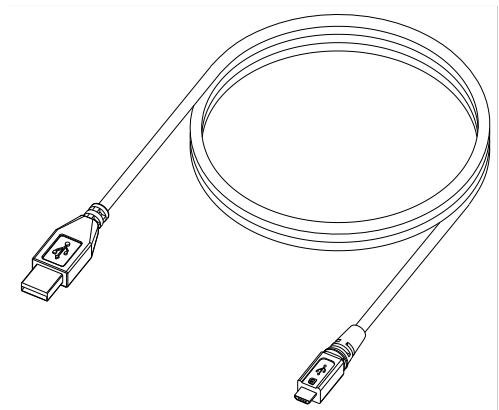
NetMan 204 also records device values and events in the history log archive and can manage optional environmental sensors (not supplied with the device, but provided separately)

PACKAGE CONTENTS

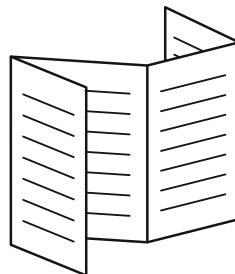
NetMan 204



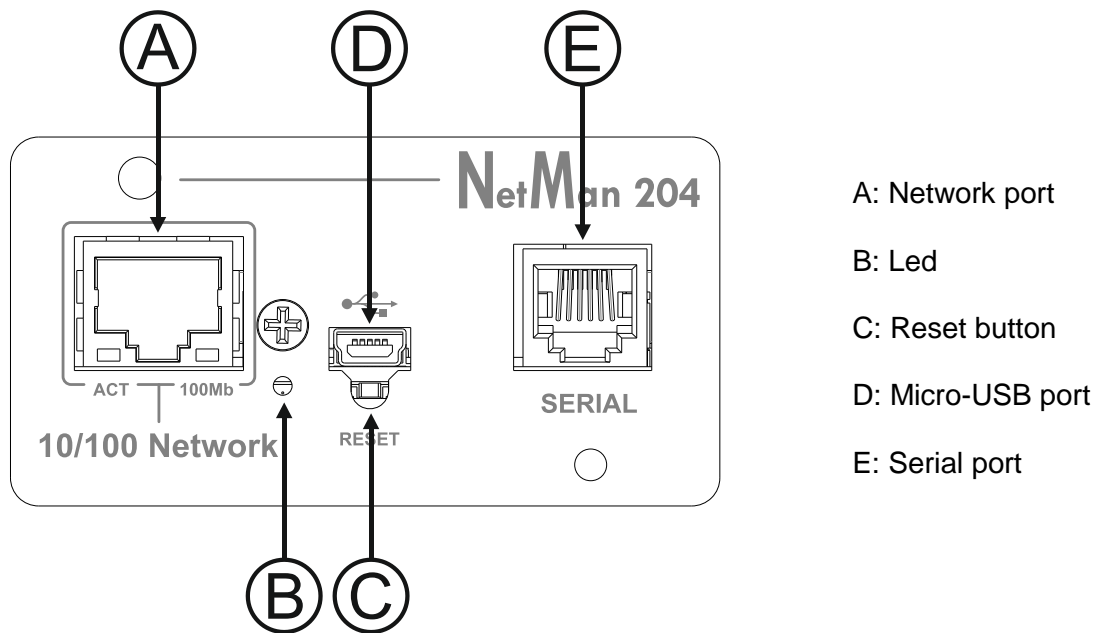
USB cable



Quick start



FRONT PANEL



Network port

NetMan 204 connects to 10/100 Mbps Ethernet networks by means of connector RJ45. The LEDs built into the connector describe the status of the network:

- Left LED
SOLID YELLOW: *NetMan204* has detected a valid link.
FLASHING YELLOW: *NetMan204* is receiving or transmitting data packets.
- Right LED
SOLID GREEN: *NetMan204* is connected to a network operating at 100 Megabits per second.

Micro-USB port

NetMan 204 makes available an USB communication port through which it is possible to configure it (see paragraph “Configuration via USB”).

Serial port

NetMan 204 makes available a serial communication port to which you can connect environmental sensors (not supplied with the device, but provided separately).

LED

This led describes the status of *NetMan 204*:

- SOLID RED: *NetMan 204* is not communicating with the device (verify PRTK Code).
- FLASHING RED: the DHCP server does not have assigned a valid IP address to *NetMan 204*.
- OFF: regular working.

Reset button

The reset button allows to restart the *NetMan204* or to load a default configuration with a predefined static IP address.

To reset *NetMan204*: keep press the reset button until the red led start flashing (ca. 2 seconds) and then release it.

To load a configuration with predefined static IP address: keep press the reset button; first the led starts flashing, then turns to solid red (ca. 10 seconds). When the led is solid red, release the reset button and the *NetMan 204* will reboot with:

- IP address: 192.168.0.204
- Netmask: 255.255.0.0
- SSH service enabled
- HTTP service enabled



HTTP and SSH service are enabled temporarily without changing the configuration saved in non-volatile memory.

USERS

It is possible to access to *NetMan 204* with three different users (admin / fwupgrade / user).

Username	Default password	Privileges
admin	admin	user with right to modify the configuration
fwupgrade	fwupgrade	user with right to upgrade the firmware
user	user	user with right to read and download the log files

NETWORK SERVICES

NetMan 204 implements a series of services based on the main network protocols. These services can be activated or deactivated according to requirements (see paragraph “Configuration”). A brief description for each of these is given below.

SSH

By means of a SSH client (available on all the main operating systems) a remote connection with *NetMan 204* can be established to change its configuration (see paragraph “Configuration via SSH”).

Serial network

To emulate a point-to-point serial connection through the network (TCP/IP protocol) in order to use special function service software.

Wake-on-LAN

NetMan 204 can send “Wake-on-LAN” command for remote computers boot.

HTTP

Using the HTTP (Hyper Text Transfer Protocol), is possible to configure the *NetMan 204* and the status of the device can be monitored by means of a web browser without having to install additional software. All the most popular web browsers are supported; only most recent version of browsers are supported.

SNMP

SNMP (Simple Network Management Protocol) is a communication protocol that allows a client (manager) to make requests to a server (agent). *NetMan 204* is an SNMP agent. To exchange information, manager and agent use an addressing technique called MIB (Management Information Base). There is a MIB file for each agent, defining which variables can be requested and the respective access rights. The agent can also send messages (TRAP) without a prior request from the manager, to inform the latter of particularly important events. SNMPv3 is the evolution of SNMP and introduces new important features related to security.

UDP

UDP (User Datagram Protocol) is a low level network protocol that guarantees speed in the exchange of data and low network congestion. It is the protocol used by the UPSMon software for monitoring and control of the device.

The UDP connection uses the UDP 33000 port by default but can be configured on other ports according to requirements.

Modbus TCP/IP

The device status can be monitored by means of the standard network protocol MODBUS TCP/IP. Modbus TCP/IP is simply the Modbus RTU protocol with a TCP interface that runs on Ethernet.

BACnet/IP

The device status can be monitored by means of the standard network protocol BACnet/IP. BACnet (Building Automation and Control networks) is a data communication protocol mainly used in the building automation and HVAC industry (Heating Ventilation and Air-Conditioning).

FTP

FTP (File Transfer Protocol) is a network protocol used for file exchange. *NetMan 204* uses this protocol for:

1. download of files of the device values and events history log archive (Datalog and Eventlog);
2. download and upload of configuration files;
3. firmware upgrade.

In both cases a client FTP is required, configured with these parameters:

- Host: hostname or *NetMan 204* IP address;
- User: see chapter “Users”;
- Password: current password.

The connection can also be established using a web browser (all the most popular web browsers are supported), by inserting the hostname or IP address of the *NetMan 204*.

Email

NetMan 204 can send a notification e-mail if one or more alarm conditions occur. The e-mails can be sent to up to three recipients and they can be sent for seven different kinds of alarm.

SMTP (Simple Mail Transfer Protocol) is the protocol used to send the e-mails. The port is configurable. For more details, see paragraph “Configuration”

Reports

NetMan 204 can send periodic e-mails with an attachment containing the files of the device values and events history log archive.

This service can be used to periodically save the history log archives.

The “Email” service must be enabled in order to send reports; the reports are sent to all the addresses configured for this service (for more details see paragraph “Configuration”).

DEVICE VALUES AND EVENTS HISTORY LOG ARCHIVE

NetMan 204 records the device values (Datalog) and events (Eventlog) in a history log database.

Eventlog

The Eventlog service is always active and records all relevant device events in the 'event.db' file. The file can be downloaded via FTP or can be viewed through the web page without credentials. With the "Email report" service, is sent a .csv with the event of the last day or week according to your setting. The data are saved in circular list mode; thus the most recent data are saved by overwriting the oldest data.

Datalog (only for UPS devices)

The Datalog service records the main data of the UPS in the 'datalog.db' file. This service writes a record each hour at 00 minutes, which summarizes the data of the past hour: values are recorded at their minimum, maximum and medium. Records older than one year get overwritten with new records. The file can be downloaded via FTP or can be viewed through the web page (only the most important values are shown on the web page) without credentials. With the "Email report" service, the last records (last day or last 7 days according to your settings) will be sent in a .csv format.

ENVIRONMENTAL SENSORS (OPTIONAL)

It is possible to connect to *NetMan 204* the environmental sensors for monitoring temperature, humidity and digital input/output.

The information provided by these sensors can be showed with the device monitoring and control software or with a web browser.

The values provided by the sensors may also be requested with SNMP according to the RFC 3433 standard (MIB files on the download site).

Available sensors

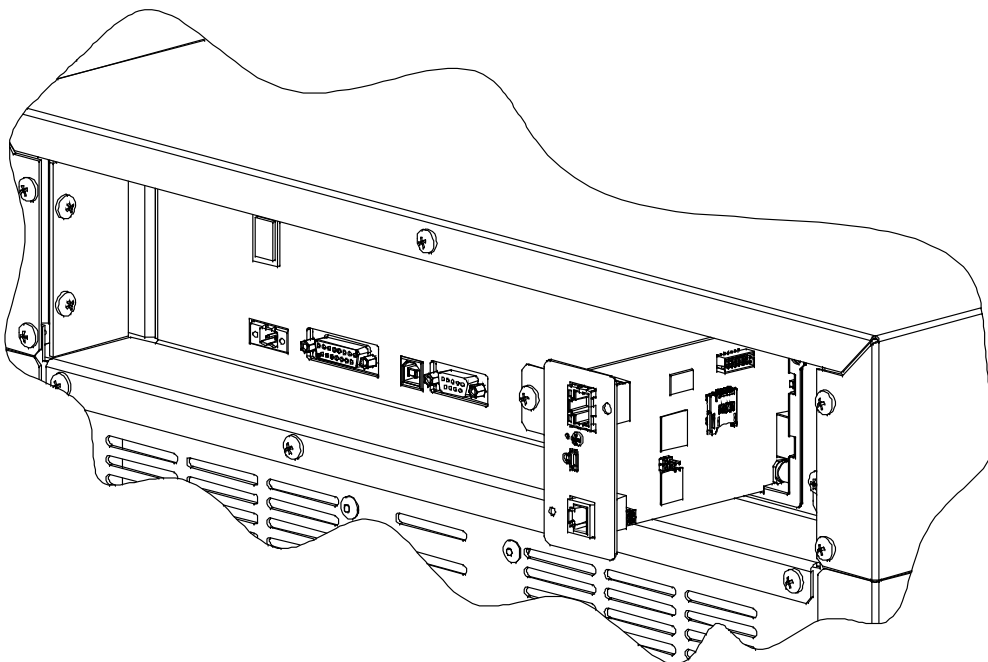
- **Temperature:** detects the environmental temperature in °C.
- **Humidity & Temperature:** detects the relative humidity in % and the environmental temperature in °C.
- **Digital I/O & Temperature:** detects the environmental temperature in °C and features a digital input and a digital output.



It is possible to connect up to 3 environmental sensor to a *NetMan 204* (for sensor installation please see the sensors' manual).

INSTALLATION

1. Remove the cover of the device expansion slot by removing the two retaining screws.
2. Insert *NetMan 204* in the slot.
3. Secure *Netman 204* in the slot using the two screws removed previously.
4. Connect the device to the network by means of connector RJ-45 (see "Specifications for the cabling of the network cable")



CONFIGURATION

OVERVIEW

NetMan 204 can be configured via USB, via SSH or via HTTP.



NetMan 204 comes provided as factory default with DHCP enabled and with the following services active: SSH, HTTP, SNMP, UDP and FTP.

In order to change the configuration of *NetMan 204*, you have to log in as admin (default password "admin").

NetMan 204 needs approx. 2 minutes to become operational from when it is powered up or after a reboot; before this time the device may not respond to commands that are sent to it.

Configuration via HTTP/HTTPS

In order to change the configuration via http/https, you have to insert in your web browser the hostname or IP address of the *NetMan 204* and then log in as admin (default password: "admin").



The HTTPS service uses TLS (transport layer security) in order to provide cryptographic security. However, the certificate used is self-signed and therefore the web browser may prompt a security alert; in this case you can ignore the alert and proceed with the configuration of *NetMan 204*.

Once login has been effected, you can browse through the menus to configure the *NetMan 204*.



In order to make a new configuration effective, it is necessary to save it. Some changes are applied immediately, while other require a reboot of the *NetMan 204* (as required with a pop-up by your web browser).

Configuration via USB

To configure *NetMan 204* via USB it is necessary to:

- Connect, with the USB cable provided, the micro-USB port with the USB port of a PC with Windows operating system.
 - If not previously installed, install the USB driver (after driver installation, a virtual COM named "NetMan 204 Serial" will be present in device manager).
 - Execute a terminal emulation program with the following settings:
COMn ⁽¹⁾, 115200 baud, no parity, 8 databits, 1 stop bit, no flow control.
- ⁽¹⁾ COMn = COM port assigned to "NetMan 204 Serial" by device manager.

- Press the "Enter" key of the PC.
- At the login prompt, enter "admin".
- At the password prompt, enter the current password (default password: "admin").



During password's typing, no character is shown.

Once login has been effected, the screen of the start menu is displayed. From this screen it is possible to access the various menus to change *NetMan 204* settings (see paragraph "Start menu" and following paragraphs).

Configuration via SSH

To configure *NetMan 204* via SSH it is necessary to:

- Execute a SSH client on a PC connected in a network to *NetMan 204* set with the IP address of the device to be configured.
- At the login prompt, enter "admin".
- At the password prompt, enter the current password (default password: "admin").



During password's typing, no character is shown.



For proper configuration of *NetMan 204*, you must configure the SSH client so that the backspace key sends "Control-H".

Please verify the keyboard options of your SSH client.

Once login has been effected, the screen of the start menu is displayed. From this screen it is possible to access the various menus to change *NetMan 204* settings (see paragraph "Start menu" and following paragraphs).

CONFIGURATION MENU DESCRIPTION



In order to make a new configuration effective, it is necessary to save it in the flash memory; this action automatically reboots the *NetMan 204*.

Start menu

Once login has been effected via SSH or USB, a screen like the following is displayed:

```

/-----/
| Netman 204 |
/-----/

Setup.....:<--
View status....:
Change password:
Service log....:
Wi-Fi setup....:no card installed
Factory reset..:
Expert mode....:

      inet addr:10.1.30.68  Bcast:10.1.255.255  Mask:255.255.0.0

Press [ESC] for logout
SysVer. S16-1 - AppVer. 02.01.000
  
```

Function	Description
Setup	To enter main configuration menu
View status	To see the status of the device
Change password	To modify the password (see also Password recovery)
Service log	To generate a log file of the card (when requested by the service)
Wi-Fi setup	To configure Wi-Fi connection For Wi-Fi connection, an optional card is required. The Wi-Fi card is not provided with <i>NetMan 204</i> but it has to be purchased separately.
Factory reset	Restore factory configuration
Expert mode	To enter Expert mode (more information at paragraph “ <i>Expert mode</i> ”)

To move within this menu and the following menus, use the keys as described in the following table; the arrow or the cursor shows the current selection.

Key	Function
Direction keys (Arrow up, down, right, left)	To move the cursor within the menus
Tab	Goes on to next option
Enter ⁽¹⁾	Choice of submenu
	Confirmation of characters entered
Esc ⁽¹⁾	Exit main menu ⁽²⁾
	Return to previous menu

⁽¹⁾ Some keys can have a different function depending on the menu.

⁽²⁾ To exit from a menu a confirmation ('Y' or 'N') is required after pressing the ESC key.

IP config

```

  /-----/
  | IP config |
  /-----/

  Hostname.....:ups-server

  IP address/DHCP:DHCP

  Netmask.....:

  Gateway.....:

  Primary DNS....:

  Secondary DNS...:
  
```

With this menu the main network parameters can be set as described in the following table.

Field	Parameters to be inserted
Hostname	Enter the <i>NetMan 204</i> host name
IP address/DHCP	Enter the IP address for a static IP; enter "DHCP" for a dynamic IP
Netmask	Enter the netmask to be used together with the static IP address
Gateway	Enter the name or the address of the network gateway
Primary DNS	Enter the name or the address of the preferred DNS to be used
Secondary DNS	Enter the name or the address of the alternative DNS to be used



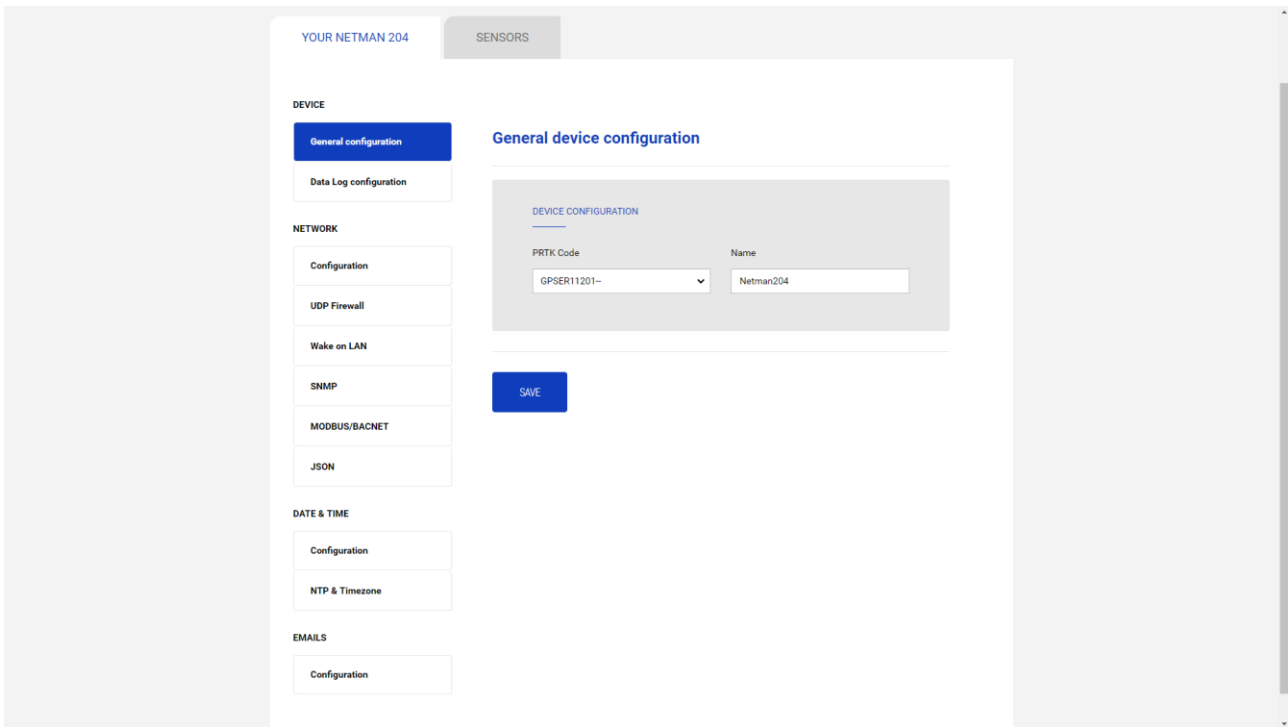
If a static IP address is assigned to the device, all the fields must be configured with the network parameters. If a dynamic IP address is assigned, just enter 'dhcp' in the "IP Address/DHCP" field and provide a hostname; all the other options should be ignored because these are automatically configured with DHCP

After pressing "ESC" and "Y" to confirm exit from the menu, a screen similar to the image below is displayed. Press the "ENTER" key to return to the main menu and the configuration will be immediately applied.

```

eth0      Link encap:Ethernet  HWaddr 00:02:63:04:07:b1
          inet addr:10.1.11.19  Bcast:10.1.255.255  Mask:255.255.0.0
          inet6 addr: fe80::202:63ff:fe04:7b1/64  Scope:Link
          UP BROADCAST RUNNING MULTICAST  MTU:1500  Metric:1
          RX packets:145877 errors:0 dropped:0 overruns:0 frame:1
          TX packets:4899 errors:0 dropped:0 overruns:0 carrier:0
          collisions:0 txqueuelen:1000
          RX bytes:12740380 (12.1 MiB)  TX bytes:2115614 (2.0 MiB)
  
```

WEB CONFIGURATION



After setting up the network, all the settings are available on the web configuration when logged is as “admin” user. Is not possible to have multiple concurrent sessions.



The login password must be lowercase and alphanumeric. No other characters are allowed to avoid malicious script injections.

Network configuration

On the web page, is possible to configure in depth the network services of *NetMan 204*.

Field	Parameters to be inserted
Hostname	Enter the <i>NetMan 204</i> host name
Static IP/DHCP	Choose between static IP or dynamic IP
IP Address	Enter the IP address
Netmask	Enter the netmask to be used together with the static IP address
Gateway	Enter the name or the address of the network gateway
Primary DNS	Enter the name or the address of the preferred DNS to be used
Secondary DNS	Enter the name or the address of the alternative DNS to be used
Enable SSH protocol	Enables the SSH service
Enable FTP protocol	Enables the FTP protocol
Enable Serial network tunneling	Enables the serial network tunnelling protocol
Enable HTTP	Enables HTTP service
HTTP port	Enter the port where HTTP service is started (default: 80)
Enable HTTPS	Enable HTTPS service
HTTPS port	Enter the port where HTTPS service is started (default: 443)
Enable UDP	Enables UDP/UPSMon service
UDP port	Enter the port where the UDP/UPSMon service is started ⁽¹⁾
UDP Password	To change the password used for UDP/UPSMon communication

⁽¹⁾ This port must be the same as configured in the UPSMon software

Device configuration

Field	Parameters to be inserted
PRTK Code	Enter the PRTK code indicated at the back of the device
Name	Enter the identifying name of the device

Data log

Field	Parameters to be inserted
Enable Data log	Enables the datalog service
Backup UPS data log at boot	At boot <i>NetMan 204</i> downloads the data log of the device for quick access

UDP Firewall

With this menu the IP addresses or hostnames of the devices enabled for communication with *NetMan 204* can be configured. The character "*" can be used for one or more fields of the IP address to indicate that all values between 0 and 255 are accepted in that field. The following table provides some possible configuration examples.

IP Access	Description
..*.*	All the devices present on the network are enabled to communicate with <i>NetMan 204</i> (default configuration)
10.1.10.*	The devices with addresses between 10.1.10.0 and 10.1.10.255 are enabled to communicate with <i>NetMan 204</i>
myserver.mydomain	Hostname of the device enabled to communicate with <i>NetMan 204</i>

Wake on Lan address

With this menu is possible to insert up to 8 MAC address to execute Wake-on-LAN, and the delay times for each Wake-on-LAN. The Wake-on-LAN is sent at *NetMan 204* boot and when the mains returns from black-out.



Please make sure that the target PC supports this function and that is properly configured.

SNMP

For configuring SNMP, is possible to use the wizard web page for a simple configuration. Advanced configuration requires to edit snmp.conf (please see chapter “SNMP configuration”).

Field	Parameters to be inserted
Enable SNMP protocol	Enables the SNMP service
Contact	Enter the string to be associated with these SNMP variable
Name	Enter the string to be associated with these SNMP variable
Location	Enter the string to be associated with these SNMP variable
Battery replacement notification	Enter the date to be notified when battery should be replaced
Configuration mode	Choose between wizard configuration or to upload a configuration file
SNMP version	Choose between SNMPv1/v2 or SNMPv3
Get community	Enter the community for read access
Set community	Enter the community for write access
Trap community	Enter the community for traps
Trap receiver	Enter the IP addresses to which traps are sent
Username	Enter the USM username
Auth	Enter the authentication algorithm
Priv	Enter the privacy algorithm
AuthPassword	Enter the authentication password
PrivPassword	Enter the privacy password
Permissions	Choose the permissions for each users

MODBUS/BACNET

Field	Parameters to be inserted
Enable MODBUS	Enables the MODBUS protocol
Enable BACNET	Enables the BACNET protocol
BACNET Address (Number)	Enter the BACNET address of the device
BACNET Client (IP)	Enter the IP address of the bacnet client

JSON

Field	Parameters to be inserted
Enable JSON	Enables the JSON notification service
Monitoring host IP	Enter the IP address to which send the JSON traps
Host port	Enter the port where traps will be sent
Notification interval (minutes)	Enter the interval between JSON trap sending
Send notification on event	Choose the even upon which the trap will be sent

Date & Time configuration

Field	Parameters to be inserted
Date	Enter the current date
Hour	Enter the current hour
Minutes	Enter the current minutes

NTP & Timezone configuration

With this menu is possible to schedule the NTP synchronization. Is possible to specify the time and frequency for performing a synchronization. For each field is possible to enter the precise condition or leaving '*' which means always.

Field	Parameters to be inserted
NTP server address (IP)	Enter the name or address of the NTP server
Hour of a day	Enter the hour when the synchronization should occur, or '*'
Day of week	Enter the day of week when the synchronization should occur, or '*'
Day of month	Enter the day of month when the synchronization should occur, or '*'



Only for UPS with PRTK code SENTER., if a valid NTP server is configured, *NetMan 204* will synchronize the clock of the UPS every time the NTP synchronization occurs.

Email configuration

This menu may be used to configure the addresses to which to send the alarm notification and report e-mails and other parameters of the e-mail service as described in the following table.

Field	Parameters to be inserted
Enable Email	Enables the Email service
Mail host	Enter the name or the address of the SMTP server to be used to send e-mails. ⁽¹⁾
SMTP port	The IP port used by the SMTP protocol
Sender address	Enter the address from which the e-mails are sent. ⁽²⁾
Username	If the server requires authentication, insert the "User name".
Password	If the server requires authentication, insert the password.
Transport	It is possible to choose between plain, SSL or TLS.
Email #1	Enter the e-mail addresses to which to send the alarm notifications and reports (see note).
Email #2	
Email #3	
Device events	Choose the event upon which the email will be sent
Send report every day	Sends the email report every day at 00:00.
Send report every week	Sends the email report every Monday at 00:00.

⁽¹⁾ Ensure that the SMTP server accepts connections on the configured port.

⁽²⁾ Do not use the "space" character in this field

After inserting the data and saving, the service can be tested. If the test is performed, a test email is sent to all the configured email addresses.



Report e-mails are sent to all the addresses inserted; for alarm notification e-mails see paragraph "*Email logic*".

Email logic

The following table describes the meaning of the events. These can vary depending on the device connected.

Event	Meaning
Device Lock	Device is locked or in a severe failure state
Ovrload/Ovrtemp	Device in overload or in overtemperature
General Failure	Failure of the device
On bypass	Operation from bypass
Input blackout	The input source is in blackout
Battery low	Battery low
Communic lost	Communication between the <i>Netman 204</i> and the device has been interrupted

Sensors

Field	Parameters to be inserted
Enable sensors	Enables the sensor service
Contact logic	Choose between normally open or normally closed
Ouput contact	Choose the output signal to be activated on event
Temperature high [°C]	Enter the high temperature threshold
Temperature low [°C]	Enter the low temperature threshold
Temperature hysteresis [°C]	Enter the temperature hysteresis
Humidity high [%RH]	Enter the high humidity threshold
Humidity low [%RH]	Enter the how humidity threshold
Humidity hysteresis [%RH]	Enter the humidity hysteresis



As well as being configured, the sensors must also be activated to function correctly (see paragraph “*Sensors config*”).

Sensors Config



To enter on the “Sensors config” menu is necessary to enable the “Sensors” service and to reboot the *NetMan 204*.

```
Sensor list
```

```
Press [C] to change sensors, [E] to exit
```

Enter on the “Config sensor” menu, connect the first sensor and press “C”. After some instants the device will be recognized and the device will be given an identifier number [1]. Connect the next sensor, if present, and press “N”. After some instants the device will be recognized and the device will be given an identifier number [2]. Repeat the procedure for all the sensors and when the configuration is finalized press “Y”.

```
Sensor list
```

```
1) Temperature [F100000013BE0628]  
2) Humidity & Temperature [4D00000083FF3326]  
3) Digital I/O & Temperature [BB0000003BA2FF12] [510000009A154228]
```

```
Press [Y] to confirm, [N] to insert a new sensor
```



For proper working of the devices, it is necessary to add just one device for each iteration and wait that it is recognized by *NetMan 204*.

Example: how to connect a *Temperature* sensor, a *Humidity & Temperature* sensor and a *Digital I/O & Temperature* sensor in exactly this order.

```
Sensor list

Press [C] to change sensors, [E] to exit
```

Connect the first sensor (*Temperature*), and press “C”.

```
Sensor list
1) Temperature [F100000013BE0628]

Press [Y] to confirm, [N] to insert a new sensor
```

Wait until the first sensor is identified and then connect the second sensor (*Humidity & Temperature*), and press “N”.

```
Sensor list
1) Temperature [F100000013BE0628]
2) Humidity & Temperature [4D00000083FF3326]

Press [Y] to confirm, [N] to insert a new sensor
```

Wait until the second sensor is identified and then connect the third sensor (*Digital I/O & Temperature*), and press “N”.

```
Sensor list
1) Temperature [F100000013BE0628]
2) Humidity & Temperature [4D00000083FF3326]
3) Digital I/O & Temperature [BB0000003BA2FF12] [510000009A154228]

Press [Y] to confirm, [N] to insert a new sensor
```

Press “Y” to confirm.

Password recovery

If the default password for the admin user is changed and forgotten, it is possible to recover it with the unlock key provided by the service department of the manufacturer.

To obtain the unlock key, you must send to the service department the service code of your *NetMan 204*. This code can be read via USB, via SSH or via HTTP.

Via USB or SSH, log in to *NetMan 204* with user "user" and password "user".

Via HTTP when you insert an incorrect password you are offered a link to a password recovery. Click the link to start the recovery.

In both case a message like this will be shown:

To restore the default password, please enter the unlock key.

If you don't know it, please send to service this code:

204:XX:XX:XX:XX:XX:XX



Please note that the unlock key is valid only for the corresponding service code which is specific for every *NetMan 204*.

Wi-Fi setup (optional card required)



For Wi-Fi connection, an optional card is required. The Wi-Fi card is not provided with *NetMan 204* but it has to be purchased separately.

After installing the optional Wi-Fi card, you can access to the "Wi-Fi setup" menu.



For *NetMan 204*, Wi-Fi is an exclusive alternative to cabled Ethernet: only one at time can be used. Therefore, after enabling Wi-Fi, it is not more possible to use cabled Ethernet.

After selecting Wi-Fi setup you get this prompt:

```
Wi-Fi Configuration
Do you want to use Wi-Fi instead of Ethernet [y/n]?
```

Insert 'n' to use Ethernet or 'y' to use Wi-Fi. In the latter case, a list of available Wi-Fi access points will be shown with the following request:

```
Please insert the SSID you want to connect without quotes
```

Type the SSID of the desired Wi-Fi access point.

```
Please insert the password for <wi-Fi access point>
```

Here you insert the authentication password for Wi-Fi.

```
OK, you want to connect to <wi-Fi access point> with password <wi-Fi
password>.
Confirm [y/n]? >
```

After confirmation, you will return to the Main setup. At the next boot the *NetMan 204* will use Wi-Fi instead of Ethernet.

Expert mode

Expert mode enables the configuration of advanced parameters that should be set by skilled technicians. These commands are supported:

help	prints the help
get	shows all values
set <VAR> <VALUE>	set VAR to VALUE
delete <VAR>	removes VAR
sendtrap <TRAPCODE>	send a test SNMP trap
testemail	send a test email
reboot	reboot the <i>NetMan 204</i>
erasefram	erase the FRAM module
clearlog	clear data log and event log
exit	closes the connection

CONFIGURATION OF SEVERAL DEVICES

If several *NetMan 204* have to be configured with similar parameters, you can configure the first *NetMan 204*, then connect via FTP with the admin user, download all the configuration files in the folder /cfg, and upload all them via FTP in the folder /cfg of all devices to be configured.

FIRMWARE UPGRADE

The *NetMan 204* firmware can be updated via HTTP or via FTP.

FIRMWARE UPGRADE VIA HTTP

Connect via HTTP to the *NetMan 204* to be upgraded inserting in your web browser the hostname or IP address and then log in as admin (default password: "admin"). Then click on the "Administration" page.

Drag and drop the upgrade file. When the upgrade file is uploaded, the *NetMan 204* will reboot automatically.

FIRMWARE UPGRADE VIA FTP

Connect via FTP with the user "fwupgrade" (default password "fwupgrade") and copy the updated firmware on the /fwupgrade folder. Then restart the card by pressing the reset button

SNMP CONFIGURATION

For configuring SNMP, is possible to use the wizard web page for a simple configuration. Advanced configuration requires to edit `snmp.conf`. This file can be downloaded and uploaded from the web page or via FTP with user "admin" (default password: "admin").

Each line of the file is parsed by *NetMan 204* and must begin with one of these keyword:

- `#`: for comment, the line is skipped.
- `addUser`: for adding a new user and setting the passwords
- `addGroup`: for putting a user into a group
- `addAccessEntry`: for enabling access privileges to a group
- `addView`: for adding privileges
- `addManager`: for adding SNMP Manager which will receive SNMP traps.

The correct syntax for `addUser` is:

```
addUser <userName> <authProtocol> <privProtocol> <authPassword> <privPassword>
```

<userName> is the name of the user.

<authProtocol> is the protocol for authentication of this user during SNMP sessions. Possible values are:

- `noauth` (no authentication will be used)
- `md5` (MD5 will be used for authentication)
- `sha` (SHA will be used for authentication)

<privProtocol> is the protocol for privacy of this user during SNMP sessions. Possible values are:

- `nopriv` (no privacy will be used)
- `des` (DES will be used for privacy)

<authPassword> is the password for authentication. It must be set to * when not used.

<privPassword> is the password for privacy. It must be set to * when not used.

The correct syntax for `addGroup` is:

```
addGroup <securityModel> <userName> <groupName>
```

<securityModel> is the security model. When using authentication and/or privacy, `securityModel` must be `USM`. Possible values are:

- `USM` (User-based Security Model with SNMPv3)
- `v2` (SNMPv2)
- `v1` (SNMPv1)

<userName> is the name of the user, must match one of the user name defined with `addUser`.

<groupName> is the name of the group.

Please note that a `userName` can be assigned to only one group.

The correct syntax for `addAccessEntry` is:

```
addAccessEntry <groupName> <contextName> <securityModel> <securityType> <contextMatch>  
<readView> <writeView> <notifyView>
```

<groupName> is the name of the group to which this access right applies, must match one of the group name defined with `addGroup`.

<contextName> is the name of the context.

<securityModel> is the security model that must be used in order to gain access to this access right, must match the security model defined with `addGroup`.

<securityType> is the minimum security level that must be used to gain access to this access right.

Possible values are:

- `noauthnopriv` (no authentication and no privacy)

- *authnopriv* (authentication but no privacy)
- *authpriv* (authentication and privacy)

<contextMatch> the type of match required. Possible values are:

- *exact* (the context name must exactly match the value in contextName)
- *prefix* (the context name must match the first few starting characters of the value in contextName)

<readView> the authorized MIB view name used for read access, must match one of the view name.

<writeView> the authorized MIB view name used for write access, must match one of the view name.

<notifyView> the authorized MIB view name used for notify access, must match one of the view name.

The correct syntax for addView is:

addView <viewName> <subtree> <mask> <included>

<viewName> is the name of the view.

<subtree> is the OID subtree which when combined with the corresponding instance of MASK defines a family of view subtrees.

<mask> the mask for filtering OID.

<included> the OID can be included or excluded. Possible values are:

- *included* (for including)
- *excluded* (for excluding)

The correct syntax for addManager is:

addManager <security> <ipAddress> <credentials> <securityType>

<security> is the security type for the notification. Possible values are:

- *USM* (User-based Security Model with SNMPv3)
- *v2* (SNMPv2)
- *v1* (SNMPv1)

<ipAddress> is the IP address of the SNMP manager.

<credentials> is either the user name (when using USM security) or the trap community (when using v1 security)

<securityType> is either:

- *noauthnopriv* (for SNMPv1 and SNMPv2)
- *authpriv* (for SNMPv3)

addManager do not allow duplicate entries (one ipAddress can receive only one trap).

A sample snmp.conf is provided; the default users authorized are:

Name	Auth protocol	Priv protocol	Auth password	Priv password
unsecureUser	Noauth	nopriv		
MD5	md5	nopriv	MD5UserAuthPassword	
SHA	Sha	nopriv	SHAUserAuthPassword	
MD5DES	md5	des	MD5DESUserAuthPassword	MD5DESUserPrivPassword
SHADES	Sha	des	SHADESUserAuthPassword	SHADESUserPrivPassword

MODBUS TCP/IP PROTOCOL

This service is active on the TCP port 502. The supported function are listed below, together with the accessible registers.

SUPPORTED FUNCTION

SUPPORTED FUNCTION	FUNCTION DESCRIPTION	ACCESSIBLE DATA AREA
1 (0x01)	BIT READING	STATES
2 (0x02)		STATES
3 (0x03)	REGISTERS READING	ALL
4 (0x04)		ALL
6 (0x06)	SINGLE REGISTER WRITING	COMMANDS
16 (0x10)	MULTIPLE REGISTER WRITING	COMMANDS

UPS: TABLES OF STATES, MEASUREMENTS, NOMINAL DATA AND COMMANDS

REGISTER ⁽¹⁾		UPS - STATES	BIT ⁽²⁾	
NUMBER	ADDRESS		NUMBER	ADDRESS
1	0		1	0
		Test in progress [0=No / 1=YES]	2	1
			3	2
		Shutdown active [0=No / 1= YES]	4	3
			5	4
		Battery charged [0=No / 1= YES]	6	5
		Battery charging [0=No / 1= YES]	7	6
		Bypass bad [0=No / 1= YES]	8	7
			9	8
		Normal operation [0=No / 1= YES]	10	9
			11	10
		On bypass [0=No / 1= YES]	12	11
		Battery low [0=No / 1= YES]	13	12
		Battery working [0=No / 1= YES]	14	13
		UPS locked [0=No / 1= YES]	15	14
		Output powered [0=No / 1= YES]	16	15
		17÷28	16÷27	
2	1	Input Mains present [0=No / 1= YES]	29	28
		Alarm temperature [0=No / 1= YES]	30	29
		Alarm overload [0=No / 1= YES]	31	30
		UPS failure [0=No / 1= YES]	32	31
3	2		33÷48	32÷47
4	3		49÷63	48÷62
		Communication lost with UPS [0=No / 1= YES]	64	63
5÷8	4÷7		65÷128	64÷127

⁽¹⁾ The register number *n* must be addressed *n-1* in the data packet

⁽²⁾ The bit number *n* must be addressed *n-1* in the data packet.

REGISTER ⁽¹⁾		UPS - MEASUREMENTS	UNIT
NUMBER	ADDRESS		
9÷11	8÷10		
12	11	Input mains star voltage V1	V
13	12	Input mains star voltage V2	V
14	13	Input mains star voltage V3	V
15	14	Input current phase L1	0.1*A
16	15	Input current phase L2	0.1*A
17	16	Input current phase L3	0.1*A
18	17	Input frequency	0.1*Hz
19÷21	18÷20		
22	21	Bypass mains star voltage V1	V
23	22	Bypass mains star voltage V2	V
24	23	Bypass mains star voltage V3	V
25	24	Bypass frequency	0.1*Hz
26	25	Output star voltage V1	V
27	26	Output star voltage V2	V
28	27	Output star voltage V3	V
29÷31	28÷30		
32	31	Output current phase L1	0.1*A
33	32	Output current phase L2	0.1*A
34	33	Output current phase L3	0.1*A
35	34	Output peak current phase L1	0.1*A
36	35	Output peak current phase L2	0.1*A
37	36	Output peak current phase L3	0.1*A
38	37	Load phase L1	%
39	38	Load phase L2	%
40	39	Load phase L3	%
41	40	Output active power phase L1	0.1 kW
42	41	Output active power phase L2	0.1 kW
43	42	Output active power phase L3	0.1 kW
44	43	Output frequency	0.1*Hz
45÷47	44÷46		
48	47	Battery voltage	0.1*V
49	48	Positive battery voltage	0.1*V
50	49	Negative battery voltage	0.1*V
51	50	Battery current	0.1*A
52	51	Remaining Battery Capacity	%
53	52		
54	53	Remaining back-up time	Minutes
55÷58	54÷57		
59	58	Total output energy (32 bit)	Least Significant Register
60	59		Most Significant Register
61	60		
62	61	Internal UPS temperature	°C
63	62	Sensor 1 temperature	°C
64	63	Sensor 2 temperature	°C
65÷72	64÷71		

⁽¹⁾ The register number *n* must be addressed *n-1* in the data packet.



Some measures may not be available for all the UPS. In this case, the relative register remains at 0xFFFF value.

REGISTER ⁽¹⁾		UPS – NOMINAL DATA	UNIT
NUMBER	ADDRESS		
73÷77	72÷76		
78	77	Output nominal voltage (star)	V
79	78	Output nominal frequency	0.1*Hz
80	79	Output nominal power	100*VA
81÷83	80÷82		
84	83	Battery nominal capacity (battery expansion included)	Ah
85	84	Battery benches	(1 or 2)
86	85	Battery type	Integer
87÷112	86÷111		

REGISTER ⁽¹⁾		UPS - COMMANDS	UNIT
NUMBER	ADDRESS		
113	112	Command code ⁽²⁾	Integer
114	113	Shutdown delay time	Seconds
115	114	Restore delay time	Minutes
116	115		
117	116	Command result ⁽³⁾	Integer
118	117		

REGISTER ⁽¹⁾		DIAGNOSTIC	UNIT
NUMBER	ADDRESS		
119	118	Counter of processed correct messages	Integer
120	119	Counter of processed NOT correct messages	Integer

⁽¹⁾ The register number **n** must be addressed **n-1** in the data packet.

⁽²⁾ Refer to “Command codes” paragraph

⁽³⁾ Command result = Command code if command is handled from the UPS

Command result = Command code + 100 if command is NOT handled from the UPS

Command result = 0 if Command code is wrong

REGISTER ⁽¹⁾		SPECIAL FLAGS (SENTR UPS)	UNIT
NUMBER	ADDRESS		
121	120	Byte 1 of "s = xx.." code / Byte 2 of "s = ..xx" code	Flag
122	121	Byte 1 of "c = xx.." code / Byte 2 of "c = ..xx" code	Flag
123	122	Byte 1 of "b = xx.." code / Byte 2 of "b = ..xx" code	Flag
124	123	Byte 1 of "r = xx-.." code / Byte 2 of "r = ..xx-.." code	Flag
125	124	Byte 3 of "r =-xx" code / Byte 1 of "i = xx-.." code	Flag
126	125	Byte 2 of "i = ..xx-.." code / Byte 3 of "i =-xx" code	Flag
127	126	Byte 1 of "a = xx-...." code / Byte 2 of "a = ..xx-...." code	Flag
128	127	Byte 3 of "a =-xx.." code / Byte 4 of "a =-..xx" code	Flag

REGISTER ⁽¹⁾		NETMAN DATA	UNIT
NUMBER	ADDRESS		
129	128	Firmware version	Integer
130÷131	129÷130		

⁽¹⁾ The register number *n* must be addressed *n-1* in the data packet.

⁽²⁾ In order to decode these registers, please refer to the UPS manual.

UPS: COMMANDS CODES

CODE	COMMAND
1 (0x0001)	Command Shutdown
2 (0x0002)	Command Shutdown and Restore
3 (0x0003)	Delete Command (code 1, 2, 12)
12 (0x000C)	UPS on Bypass
20 (0x0014)	Test Battery
22 (0x0016)	Test Panel

BACNET/IP CONFIGURATION

OBJECT	DESCRIPTION	UNIT
Analogue Input 0	Input voltage line 1	V
Analogue Input 1	Input voltage line 2	V
Analogue Input 2	Input voltage line 3	V
Analogue Input 3	Input current line 1	A
Analogue Input 4	Input current line 2	A
Analogue Input 5	Input current line 3	A
Analogue Input 6	Input frequency	Hz
Analogue Input 7	Bypass voltage line 1	V
Analogue Input 8	Bypass voltage line 2	V
Analogue Input 9	Bypass voltage line 3	V
Analogue Input 10	Bypass frequency	Hz
Analogue Input 11	Output voltage line 1	V
Analogue Input 12	Output voltage line 2	V
Analogue Input 13	Output voltage line 3	V
Analogue Input 14	Output current line 1	A
Analogue Input 15	Output current line 2	A
Analogue Input 16	Output current line 3	A
Analogue Input 17	Output peak current line 1	A
Analogue Input 18	Output peak current line 2	A
Analogue Input 19	Output peak current line 3	A
Analogue Input 20	Output power line 1	W
Analogue Input 21	Output power line 2	W
Analogue Input 22	Output power line 3	W
Analogue Input 23	Output frequency	Hz
Analogue Input 24	Output load line 1	%
Analogue Input 25	Output load line 2	%
Analogue Input 26	Output load line 3	%
Analogue Input 27	Battery voltage	V
Analogue Input 28	Battery current	A
Analogue Input 29	Battery capacity	%
Analogue Input 30	UPS temperature	°C
Analogue Input 31	Autonomy	min
Analogue Input 32	Nominal power	VA
Binary Input 0	Mains status	Present / Not present
Binary Input 1	Bypass status	Active / Not active
Binary Input 2	Battery status	Working / Not working
Binary Input 3	Battery level	Low / Not low
Binary Input 4	UPS locked	Locked / Not locked
Binary Input 5	UPS fail	Fail / Not fail
Binary Input 6	Load	Overload / Normal
Binary Input 7	Temperature	Overtemperature / Normal
Binary Input 8	Bypass bad	Bad / Not bad
Binary Input 9	Replace battery	Replace / Not replace
Binary Input 10	Shutdown	Active / Not active
Binary Input 11	Shutdown imminent	Imminent / Not imminent
Binary Input 12	Communication status	Lost / OK

MODEM CONFIGURATION

NetMan 204 can be used to monitor the status of the UPS by means of a modem connected to the SERIAL port.

The modem can be enabled for transmission and/or for receiving calls.

If the transmission is enabled, the UPS is able to make calls to a remote support station to notify any alarm situations. The device can make calls to three different telephone numbers.

If the modem is enabled to receive calls, it is possible to monitor the UPS status and operation from a remote support station.

Field	Parameters to be inserted
Phone number 1	Enter the telephone numbers to be called
Phone number 2	
Phone number 3	
Modem init	Enter the modem initialization string (see note)
Modem dial	Enter the dialling string used by the modem (see note)
No. Repeat	Enter the number of attempts to be made if there is no reply
Delay	Enter the interval of time between two calls if there is no reply



The modem initialization string (Modem init) recommended for the U.S. Robotics modem is **ATE0X0V0&H0&R1&I0&D0S0=1&W0** (default configuration).

The dialling string (Modem dial) recommended for the U.S. Robotics modem is **ATDT** (default configuration).

It's also possible to establish which telephone numbers will be called and with which mode when certain events occur. One or more telephone numbers can be associated with each event.

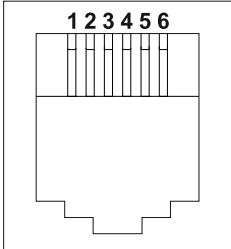
The tables below describe the meaning of the events. These can vary according to the UPS connected.

Select AND if you want that when the event occurs, all the enabled telephone numbers will be called.

Select OR if you want that when the event occurs, only one of the enabled telephone numbers is called: if all the call attempts for the first enabled telephone number fail, the device calls the next enabled telephone number.

Events	Meaning
UPS Lock	UPS is locked
Ovrload/Ovrtemp	UPS in overload or in overtemperature
UPS Failure	Failure of the UPS
On bypass	Operation from bypass
Battery work	Operation from battery
Battery low	Battery low
Communic lost	Communication between the UPS and the device has been interrupted
SENTR level 2	Presence of an internal UPS failure (this condition emulates the level of modem alarm for UPSs with PRTK code SENTR...).
SENTR level 3	Presence of a failure in the UPS, excluding those envisaged in the previous point (this condition emulates the level of modem alarm for UPSs with PRTK code SENTR...).

Connect the modem to the SERIAL port of *NetMan 204* according to the tables below.

RJ-12 – SERIAL port	
	
POSITION	DESCRIPTION
1	+5V _{DC}
2	GND
3	Environmental sensors bus
4	GND
5	RXD
6	TXD

NetMan 204		LEAVE UNCONNECTED	Modem		
RJ-12			DB-25	DB-9	DESCRIPTION
POSITION	DESCRIPTION		POSITION	POSITION	
1	+5V _{DC}				
2	GND				
3	Environmental sensors bus				
4	GND	← CONNECT TO →	7	5	GND
5	RXD	← CONNECT TO →	3	2	TXD
6	TXD	← CONNECT TO →	2	3	RXD

TECHNICAL DATA

NETWORK CABLE

To connect the device to the Ethernet (10Base-T) or Fast Ethernet (100Base-T) network, a UTP (Unshielded Twisted Pair) or STP (Shielded Twisted Pair) cable with RJ45 connectors is required. The cable must conform to the standard IEEE 802.3u 100Base-T with 2 pairs of UTP cables of category 5 or higher. The cable between the adaptor and the hub must not be more than 100m and not less than 2.5m.

NETWORK CABLE CONNECTIONS	
Signal	Pin # to Pin #
TX+	1 ← → 1
TX-	2 ← → 2
RX+	3 ← → 3
RX-	6 ← → 6



Pins 1 and 2 must be connected to one twisted pair, pins 3 and 6 to another.

OPERATING AND STORAGE CONDITIONS

Operating temperature range	[°C]	0 ÷ +40
Storage temperature range	[°C]	-5 ÷ +50
Maximum operating relative humidity	[%]	80
Maximum storage relative humidity	[%]	90

