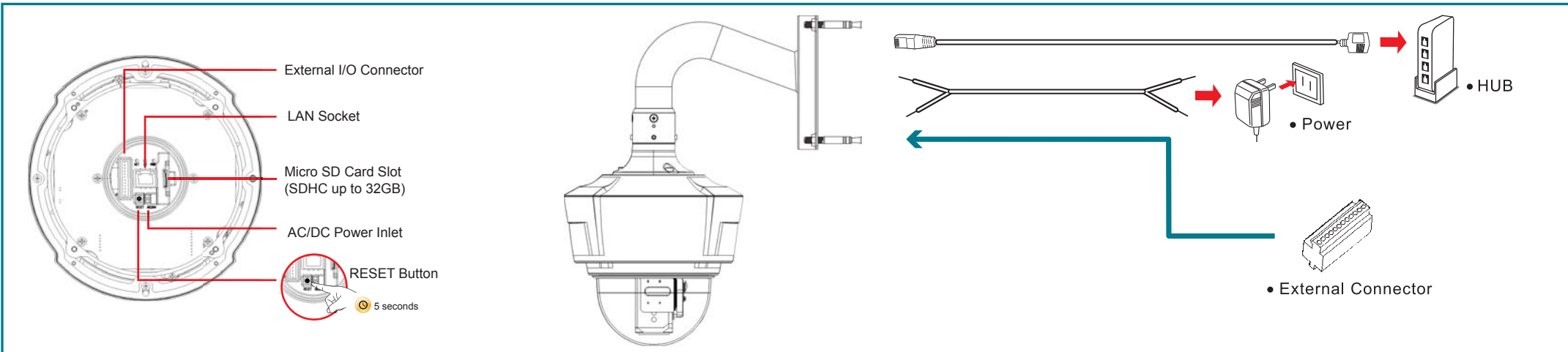




Speed Dome Network Camera Connection Diagram



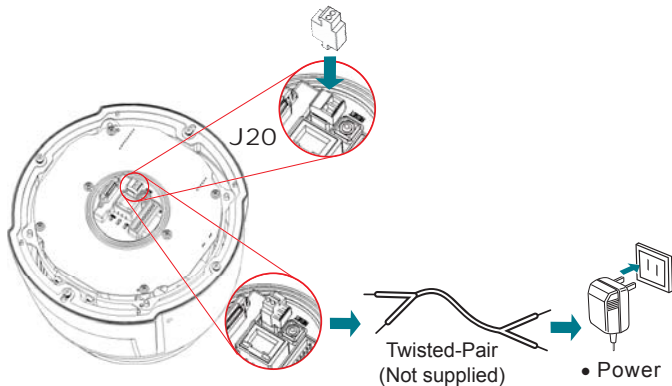
Connect the product to the switch hub and PC.

1 Connecting up

Prepare the product, your PC and switch hub ready for connection. Make sure that your PC has a LAN port available for connection to the network cable of the product.

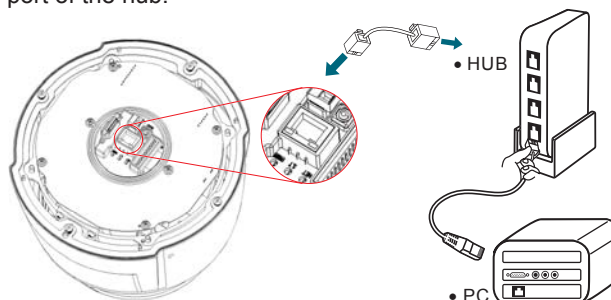
2 Connect to the power outlet

Connect with your power adaptor directly using the twisted pair (not supplied) after plug the supplied 2pin connector into **J20** as shown.



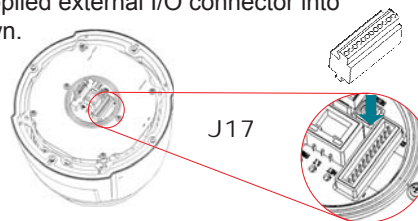
3 Connect the switch hub to your PC

Use a network cable and plug it in the LAN port of the product. Plug the other end of the cable in the LAN port of the hub.

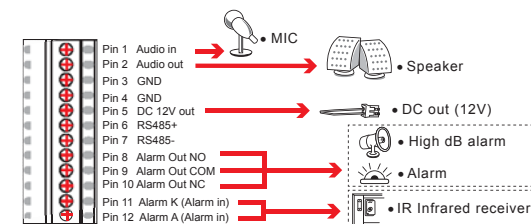


4 Plug the External I/O connector

Plug the supplied external I/O connector into **J17** as shown.

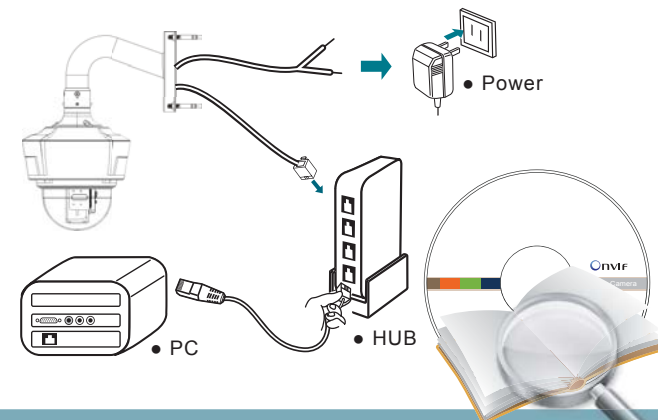


External I/O setting



5 Turn on the power

Turn on the power of the PC and hub.





Speed Dome Network Camera Hardware Installation

Package Contents



Wall Mount Bracket

1

Start the Installation

Use the screwdriver to lock the camera securely after remove the EPE.



2

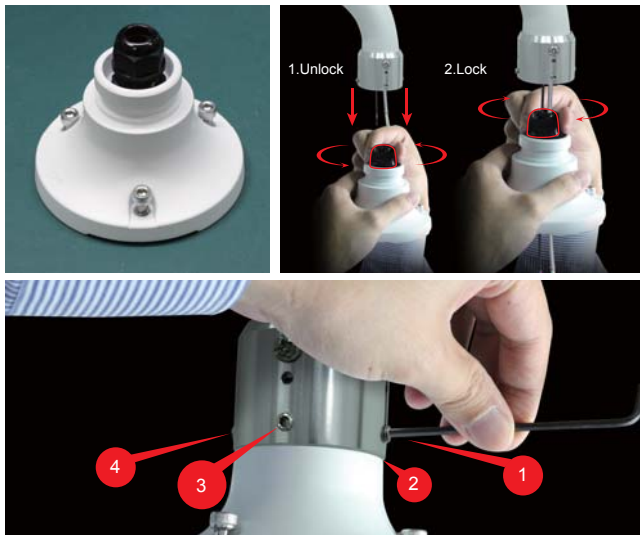
Housings Installation



3

Use the screwdriver to lock the bracket and Pedestal securely after the I/O cables are put into the bracket.

Cable Glands Unlock / Lock



4

Stabilize the Hardware



5

Tripod Mounting

